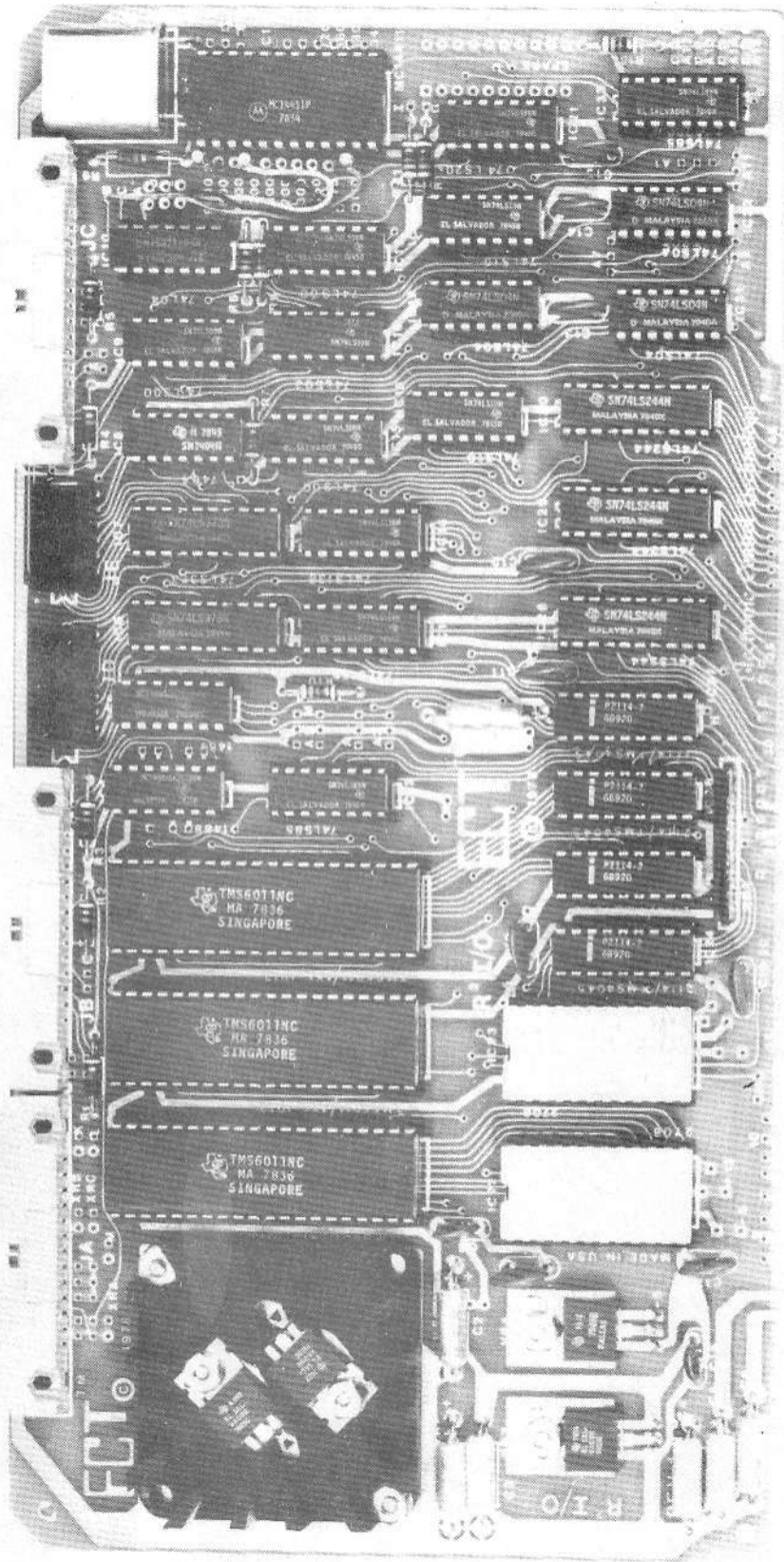


R²I/O



Electronic Control Technology

763 RAMSEY AVE.
HILLSIDE, NEW JERSEY 07205

R²I/O ROM, RAM & I/O BOARD

ELECTRONIC CONTROL TECHNOLOGY'S
R²I/O is an S-100 Bus I/O Board with 3 Serial I/O Ports, 1 Parallel I/O Port, 4 Status Ports, 2K of ROM and 2K of RAM. The R²I/O provides a convenient means of interfacing several I/O devices, such as - CRT terminals, line printers, modems or other devices, to an S-100 Bus Microcomputer or dedicated controller. It also provides for convenient Microcomputer system control from a terminal keyboard with the 8080 Apple ROM monitor containing executive commands and I/O routines. Or, it can be used in dedicated control applications to produce a system with a minimum number of boards, since it contains ROM, RAM and I/O.

The standard configuration has the ROM located at F000 with the RAM at F800 and the I/O occupies the first block of 8 ports. Jumper areas provide flexibility to change these locations within reason as well as allow the use of ROM's other than the 2708 — such as the 2716 or similar 24 pin devices. Baud rates are individually selectable in the range of 75 — 9600 and the Voltage levels of the Serial I/O Ports are RS-232.

SPECIFICATIONS

MEMORY (Read/Write): 2K of 2114, 4045 or equal

MEMORY (Read Only): 2K of 2708 or equal (optional 2716, 2308 or similar)

SERIAL I/O PORTS: 3 UART's TMS6011, AY5-1013A or equal
RS-232 Voltage levels
Baud rates: selectable 75-9600

PARALLEL I/O PORTS: 1 IN 8 Bit latched
Input loads: 1 low power TTL
1 OUT 8 Bit latched
Output drive: 15 TTL loads

STATUS PORTS: 4 ports — active low Bits 0 & 7

BUS LOADING: 1 low power TTL load per line used

POWER (TYPICAL): +8V @ 600mA
+16V @ 150mA
-16V @ 150mA

SIZE: 5.3" x 10" x 1/16"

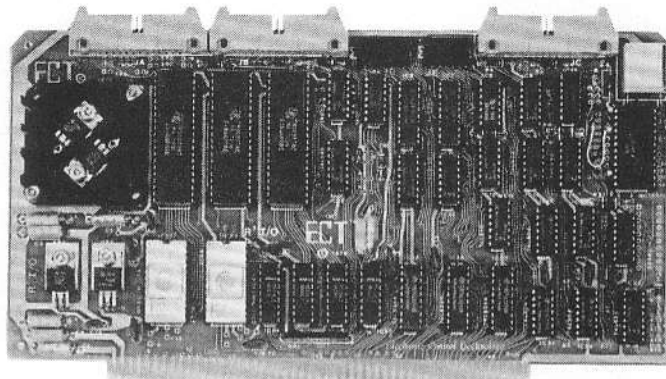
PC MATERIAL: G10 or FR4 double sided 2 oz. copper with plated through holes

EDGE CONTACTS: 50 per side on 0.125" spacing, gold over nickel plated

FINISH: Solder mask both sides with silk screened legend

SOCKETS: Low profile sockets for all IC's

Specifications subject to change without notice.



- ✓ S-100 BUS
- ✓ 2K ROM
- ✓ 2K RAM
- ✓ 3 Serial I/O Ports
- ✓ 1 Parallel I/O Port
- ✓ 4 Status Ports

8080 APPLE MONITOR COMMAND TABLE

- A — Assign I/O
- B — Branch to user routine A-Z
- C — Undefined
- D — Display memory on console in Hex
- E — End of file tag for Hex dumps
- F — Fill memory with a constant
- G — GOTO an address with breakpoints
- H — Hex math sum & difference
- I — User defined
- J — Non-destructive memory test
- K — User defined
- L — Load a binary format file
- M — Move memory area to another address
- N — Nulls leader/trailer
- O — User defined
- P — Put ASCII into memory
- Q — Query I/O ports: QI (N)-read I/O; QO(N,V)-send I/O
- R — Read a Hex file with checksum
- S — Substitute/examine memory in Hex
- T — Types the contents of memory in ASCII equivalent
- U — Unload memory in Binary format
- V — Verify memory block against another memory block
- W — Write a checksummed Hex file
- X — Examine/modify CPU registers
- Y — 'Yes there' find 'N' Bytes in memory
- Z — 'Z END' address of last R/W memory location

ELECTRONIC CONTROL TECHNOLOGY

MEMORY ADDRESSING

The R²I/O occupies 4K of memory space. The normal ROM address starts at F000 occupies 2K and is immediately followed by 2K of RAM from F800 to FFFF. This 4K memory block can be changed to other 4K boundaries by cutting the appropriate address <A15, A14, A13 & A12> land<s> near IC33 from the plus voltage and jumpering them to ground.

The ROM can occupy the upper 2K while the RAM occupies the lower 2K by cutting the land between the pad connected to IC13 pin 3 from A11 and jumper it to A11.

8080 APPLE MONITOR

The ROM is normally supplied with a monitor 'Apple V1.0 ECT'. The entry point of the monitor is F000, and it will sign on through serial port 'A'.

MEMORY INHIBIT

A logic zero on pad G will inhibit memory, both ROM and RAM and also read and write.

A logic zero on pad I will inhibit the writing to the RAM <protect>.

A logic zero on pad J will inhibit the reading of the entire board <disables the DI bus drivers>.

The phantom pin 67 or similar signal can be used with pad J to selectively disable the read only or with pad G for both read and write.

ROM's

The board is hard wired for 2708's but other 24 pin EPROM's or ROM's can be used. Lands can be cut between each pair of pads connected to pins 18, 19, 20 and 21 to make appropriate changes for the desired EPROM's or ROM's. Check with the data sheet of the desired EPROM's or ROM's for proper connections to these pins. Address A10 is available buffered at pad H. Pins 2 & 5 of IC17 can be cut free and used for additional chip select addressing.

ELECTRONIC CONTROL TECHNOLOGY

I/O PORT ADDRESSING

The board occupies a block of 8 I/O ports. There are three serial I/O ports, one parallel I/O port and four status ports. For serial port 'A', status is on port 0 and data on port 1; for serial port 'B', status is on port 2 and data on port 3; for serial port 'C', status is on port 4 and data on port 5; and for the parallel port, status is on port 6 and data on port 7.

The addressing can be changed in a block of eight ports by cutting the appropriate address <A3, A4, A5, A6 & A7> lands near IC 12 from the plus voltage and connecting them to ground.

Address jumpers A1 & A2 near IC 32 can be used to interchange the serial and parallel I/O ports within the block of eight. Changing both will put the parallel port at port 0 for status and port 1 for data.

STATUS PORTS

Each data port has a status port addressed at the even number port preceding the data port. Status is active low for Data Available on Bit 0 and Transmitter Buffer Empty on Bit 7. For the serial ports the following errors cause a logic one: Parity Error on Bit 2, Framing Error on Bit 3 and Over-Run on Bit 4.

UART PROGRAMMING

UART pins 35 - 39 program the device. When left open the UART is set up for 8 bits, no parity and 2 stop bits.

Pin 39 is Parity Select - logic one is even parity and logic zero is odd parity

Pins 38 & 37 Word Length Select

| WORD LENGTH | 38 WLS-1 | 37 WLS-2 |
|-------------|----------|----------|
| 5 | Low | Low |
| 6 | High | Low |
| 7 | Low | High |
| 8 | High | High |

Pin 36 selects the number of stop bits - a logic one sets up 2 stop bits & a logic zero produces only one.

Pin 35 is parity inhibit - a logic one inhibits the parity bit and a logic zero generates a parity bit between the data bits and the stop bit<s>.

A logic zero or low can be produced on the pins by installing a jumper straight across to the ground pads on the solder side of the board for each UART.

Reset, POC & EXT CLR are gated together to reset the UART's. Any or all can be disconnected at IC 18, if required.

ELECTRONIC CONTROL TECHNOLOGY

BIT RATE GENERATOR

Sixteen different clock rates are available from the MCl4411 bit rate generator. The hard wired jumpers on the board set the bit rate generator for fourteen standard rates in the range of 75 to 9600 as screened on the board. A higher group of rates is attainable by cutting the land between the pads connecting pin 23 of IC11 and ground; then connect the pad for pin 23 of IC11 to +5 Volts. This jumper will provide rates that are four times the rates marked on the board (300 to 38.4K).

The MCl4411 is a CMOS device capable of driving one Low Power TTL load; therefore buffers are provided. A black jumper lead is connected to pad 'A' which corresponds to serial port 'A'; the red lead corresponds to pad 'B' and serial port 'B'; the white lead is connected to pad 'C' and serial port 'C'. Do not connect more than one lead directly to any one pin of the MCl4411. To have more than one serial port at a particular rate, connect one jumper to the pin of the MCl4411 and the other(s) to the buffered pin (D,E or F). Two pins at 'D' are the buffer of black jumper 'A'; pins 'E' for 'B' and pins 'F' for 'C'.

SERIAL PORT CONNECTIONS

The voltage levels of the serial ports are RS-232. Each serial port has its own 26 pin PC board connector JA, JB & JC so that a ribbon cable can be used directly with a DB-25 connector from the board to the microcomputer cabinet. Pins 1, 7 & 18 are ground; pins 5, 6 & 8 are tied to +12V through a resistor to activate terminals when the microcomputer power is 'ON'. Data into the microcomputer is on pin 2 and data out of the microcomputer is on pin 3. A one to one cable can be used with many terminals. If leads for data in and data out need to be interchanged for a specific application, it can be done on the board by cutting lands between the pads connected to pins 2 & 3 and put in cross jumpers.

PARALLEL PORT CONNECTIONS

The parallel port is TTL level. The output is available on JD the 16 pin IC socket. The input is available on JE the 14 pin IC socket. See the parallel port table for pin connections.

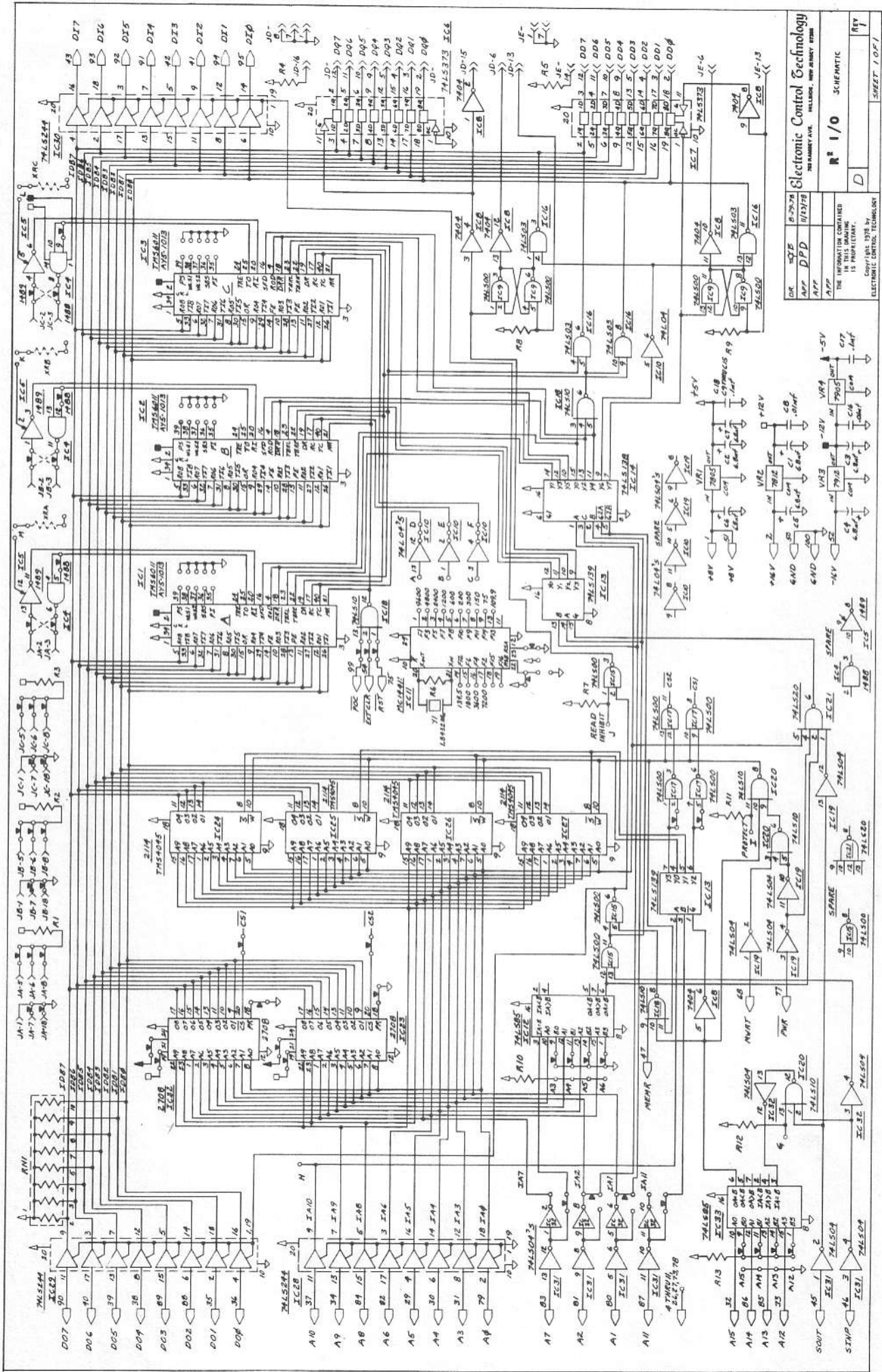
ELECTRONIC CONTROL TECHNOLOGY

SERIAL PORTS JA, JB & JC

| | |
|----|---------------------------|
| 1 | Ground |
| 2 | Data Into Microcomputer |
| 3 | Data Out Of Microcomputer |
| 5 | + 12 V |
| 6 | + 12 V |
| 7 | Ground |
| 8 | + 12 V |
| 18 | Ground |

PARALLEL PORT TABLE

| JD | Out | JE | In |
|----|------------------------|----|------------------------|
| 1 | Ground | 1 | Ground |
| 2 | Data 0 | 2 | Data 0 |
| 3 | Data 1 | 3 | Data 1 |
| 4 | Data 2 | 4 | Data 2 |
| 5 | Data 3 | 5 | Data 3 |
| 6 | Write Latched | 6 | Read Latched |
| 7 | Ground | 7 | Ground |
| 8 | Ground | 8 | |
| 9 | Data 4 | 9 | Data 4 |
| 10 | Data 5 | 10 | Data 5 |
| 11 | Data 6 | 11 | Data 6 |
| 12 | Data 7 | 12 | Data 7 |
| 13 | Write FF Clear | 13 | Set FF In |
| 14 | | 14 | +5V Through A Resistor |
| 15 | Write Pulse | | |
| 16 | +5V Through A Resistor | | |



IRE 502E R-79-78
 APP DFD 11/23/78
 APP
 THE INFORMATION CONTAINED
 HEREIN IS UNCLASSIFIED
 DATE 11-15-2011 BY
 60322 UCBAW/SJS
 ELECTRONIC CONTROL TECHNOLOGY
 Copyright 1978 by
 ELECTRONIC CONTROL TECHNOLOGY

Electronic Control Technology
 780 HANBY AVE.
 HILLIARD, OHIO 43026
 R² I/O SCHEMATIC
 REV 1

SHEET 1 OF 1

Electronic Control Technology

P.O. BOX 6
UNION, NEW JERSEY 07083
(201) 686-8080

WARRANTY

ELECTRONIC CONTROL TECHNOLOGY, hereinafter referred to as ECT, in an effort to assure its customers that it is providing them with quality products, components and workmanship, hereby warrants its products as follows:

All products both in kit form and assembled units and all components sold by ECT are purchased through factory distribution and any part which fails because of defects in workmanship or material will be replaced at no charge for a period of three (3) months following the date of purchase. The defective part must be returned postpaid to ECT within the warranty period.

Any fully assembled kit, which fails to perform satisfactorily, may be returned to ECT within the warranty period, and if in the judgement of ECT it has been assembled with care and has not been subjected to electrical or mechanical abuse, it will be restored to proper operating condition and returned, regardless of the cause of malfunction, with a minimal charge to cover shipping and handling.

Any unit purchased as a kit and returned to ECT and which in the judgement of ECT is not covered by this warranty will be repaired and returned at a cost commensurate with the work required. In no case will this charge exceed twenty dollars (\$20.00) without prior notification to and approval by the owner.

Any product purchased as an assembled unit is guaranteed against defects in materials and workmanship and is further guaranteed for a period of three (3) months to meet the specifications in effect at the time of manufacture. All warranted factory assembled units returned to ECT postpaid will be repaired and returned without charge.

This warranty is made in lieu of all other warranties expressed or implied and is limited in any case to repair or replacement of the ECT product involved.

Electronic Control Technology
763 RAMSEY AVE.
HILLSIDE, NEW JERSEY 07205